

BARGREEN ELLINGSON

FOODSERVICE SUPPLY & DESIGN

GENERAL NOTES

- IT SHALL BE NOTED BY THE GENERAL CONTRACTOR AND ALL SUB-CONTRACTORS THAT THIS SET OF PLANS AND THE INFORMATION CONTAINED WITHIN IN NO WAY RELIEVES SAID PARTIES OF THEIR RESPONSIBILITY TO INVESTIGATE AND COMPLY WITH ALL APPLICABLE CODES AND ORDINANCES AND TO PERFORM ALL WORK TO THE HIGHEST STANDARDS.
- IT SHALL BE THE RESPONSIBILITY OF THE GENERAL CONTRACTOR AND ALL SUB-CONTRACTORS TO VERIFY THE ACTUAL SPACE AND MECHANICAL REQUIREMENTS OF ALL ITEMS SHOWN AS FUTURE, NIC, SUPPLIED BY "OTHERS", ETC., WITH THE OWNER PRIOR TO ROUGH-IN AND CONNECTION.
- IT IS THE RESPONSIBILITY OF THE GENERAL CONTRACTOR TO IMMEDIATELY NOTIFY THE KITCHEN EQUIPMENT CONTRACTOR IN WRITING OF ANY CHANGES TO THE BUILDING THAT AFFECT EQUIPMENT PLACEMENT AND SIZES (I.E., WALL CHANGES, WATER HEATER LOCATIONS, ELECTRICAL PANELS, ETC).
- SUITABLE WALL BACKING AS SHOWN ON THESE PLANS AND AS REQUIRED BY THE OWNER SHALL BE PROVIDED AND INSTALLED BY THE GENERAL CONTRACTOR.
- THE GENERAL CONTRACTOR SHALL PROVIDE FLOOR, WALL, CEILING AND ROOF PENETRATIONS, INCLUDING, BUT NOT LIMITED TO THOSE REQUIRED FOR: MAKE-UP AIR, CLASS II EXHAUST DUCTS, FIRE-RATED SHAFTS FOR CLASS I EXHAUST DUCTS.
- THE GENERAL CONTRACTOR SHALL PROVIDE CONDUIT AND SLEEVES FOR REFRIGERATION LINES, SYRUP, CARBON DIOXIDE GAS, BEER LINES, LIQUOR LINES, AND DATA LINES. CONDUIT SHALL BE CIRCULAR PVC EQUAL TO THE DIAMETER INDICATED ON PLANS. ALL BENDS SHALL HAVE A MINIMUM RADIUS OF TWENTY-FOUR INCHES.
- THE GENERAL CONTRACTOR SHALL PROPERLY SEAL ALL WALL AND FLOOR PENETRATIONS AFTER THE INSTALLATION OF RELATED EQUIPMENT AND FURNISHING ITEMS.
- ALL DIMENSIONS SHOWN ARE FROM FACE OF FINISHED WALL OR FLOOR.
- ALL UTILITY ROUGH-INS SHOWN ON THESE PLANS ARE SUBJECT TO CHANGE PENDING FINAL EQUIPMENT SELECTION AND LOCATION.
- ALL UTILITY ROUGH-INS, FINAL CONNECTIONS, AND HOOK-UPS SHALL BE PROVIDED AND PERFORMED BY THE RESPECTIVE LICENSED SUB-CONTRACTORS IN COMPLIANCE WITH APPLICABLE NATIONAL AND LOCAL CODES.
- SEISMIC BRACING INFORMATION, IF REQUIRED, IS NOT INDICATED ON THESE PLANS NOR IS IT PROVIDED BY THE KITCHEN EQUIPMENT CONTRACTOR UNLESS OTHERWISE SPECIFIED HEREIN.
- WHERE EQUIPMENT PRODUCES NOISE THAT MAY VIBRATE THROUGH WALLS TO ANY PUBLIC AND/OR DINING AREAS, THE GENERAL CONTRACTOR SHALL PROVIDE AND INSTALL ADEQUATE SOUND PROOFING IN WALLS.

ELECTRICAL NOTES

- ALL ELECTRICAL ROUGH-IN WORK AND FINAL CONNECTIONS TO ALL FOOD SERVICE AND RELATED EQUIPMENT AS SHOWN ON THE KITCHEN EQUIPMENT CONTRACTOR'S PLANS TO BE PERFORMED BY THE ELECTRICAL CONTRACTOR PER NATIONAL AND LOCAL CODES.
- THE ELECTRICAL CONTRACTOR SHALL PROVIDE AND INSTALL STAINLESS STEEL OUTLET AND RECEPTACLE COVERS IN SERVICE AREAS.
- THE ELECTRICAL CONNECTIONS, SPECIFICATIONS AND DIMENSIONS SHOWN ON THESE PLANS ARE FOR FOOD SERVICE EQUIPMENT ONLY. SEE THE ARCHITECT'S PLAN SET FOR ADDITIONAL ELECTRICAL REQUIREMENTS INCLUDING OFFICE, MENU BOARDS, TELEPHONE AND DATA LINES, ETC.
- THE ELECTRICAL CONTRACTOR SHALL PROVIDE FUSED DISCONNECTS FOR EQUIPMENT HOOK-UPS AS REQUIRED BY CODE AND LABELING.
- ALL ELECTRICAL ROUGH-IN WORK AND ALL FINAL CONNECTIONS FOR ALL ITEMS SHOWN AND SPECIFIED ON THESE PLANS BY BARGREEN ELLINGSON SHALL BE PERFORMED BY THE ELECTRICAL CONTRACTOR.
- UNLESS OTHERWISE SPECIFIED IN THESE PLANS OR OTHER WRITTEN CONTRACTS, IT SHALL BE THE RESPONSIBILITY OF THE ELECTRICAL CONTRACTOR TO PROVIDE ALL ELECTRICAL-TYPE MATERIALS INCLUDING, BUT NOT LIMITED TO: WIRING, SWITCHES, DISCONNECTS, FLEX, CONDUIT, CONTACTORS, TRANSFORMERS, THERMAL OVERLOAD PROTECTORS, MAGNETIC STARTERS, SHUNT TRIP BREAKERS, ELECTRICAL PANELS, CORDS, PLUGS, COVERS, ETC.
- ELECTRICAL CONTRACTOR SHALL PROVIDE THE KITCHEN EQUIPMENT CONTRACTOR WITH ELECTRICAL PANEL(S) SIZE AND LOCATION ALONG WITH AVAILABLE VOLTAGE AND PHASE.
- THE ELECTRICAL CONTRACTOR SHALL FURNISH AND INSTALL ALL ELECTRICAL COMPONENTS FOR WALK-IN REFRIGERATORS AND FREEZERS INCLUDING, BUT NOT LIMITED TO: LIGHTS, DOOR VENTS, SOLENOIDS, TIME CLOCKS, DEFROST CIRCUITS AND INTERCONNECTIONS BETWEEN REMOTE COMPRESSORS AND INTERIOR MOUNTED EVAPORATOR COILS. ELECTRICAL SHALL ALSO PROVIDE DISCONNECTS AND THERMO-OVERLOAD PROTECTION FOR COMPRESSORS.
- THE ELECTRICAL CONTRACTOR SHALL PROVIDE AND INSTALL HEAT TAPE ON DRAIN LINES IN DANGER OF FREEZING. VERIFY LENGTH WITH REFRIGERATION CONTRACTOR.
- THE ELECTRICAL CONTRACTOR SHALL PROVIDE DISCONNECTS AT THE POWER BOX FOR EACH ICE MACHINE HEAD.
- IT SHALL BE THE RESPONSIBILITY OF THE ELECTRICAL CONTRACTOR TO PROVIDE INTERCONNECT SWITCHING BETWEEN THE KITCHEN HOOD EXHAUST FANS AND THE KITCHEN MAKE-UP AIR SYSTEMS AS REQUIRED PER LOCAL CODE AND AUTHORITIES.
- IT SHALL BE THE RESPONSIBILITY OF THE ELECTRICAL CONTRACTOR TO PROVIDE ELECTRICAL CONTACTORS ON ALL ELECTRICAL OUTLETS, JUNCTION BOXES, ETC. LOCATED UNDER ANY CLASS I EXHAUST HOOD SO AS TO DISCONNECT UPON ACTIVATION OF THE FIRE SUPPRESSION SYSTEM.
- ELECTRICAL CONTRACTOR SHALL VERIFY REQUIREMENTS OF CASH REGISTERS, PRINTERS, COMPUTERS, SOUND SYSTEM, ETC. INCLUDING CONDUIT RUNS AND DEDICATED / ISOLATED OUTLET REQUIREMENTS.
- ALL DIMENSIONS SHOWN ARE FROM GRID LINES, FINISHED WALLS OR FINISHED FLOORS TO CENTER LINE OF ELECTRICAL OUTLET BOXES. HEIGHTS ARE NOT TO BE TAKEN FROM CURBS OR PLATFORMS.
- TEMPERATURE SENSORS RELATED TO THE HOOD SYSTEM, AND INTENDED TO BE INSTALLED IN THE KITCHEN SPACE, SHALL BE INSTALLED BY THE ELECTRICAL CONTRACTOR ACCORDING TO THE MANUFACTURER'S SPECIFICATIONS.

PLUMBING NOTES

- ALL PLUMBING ROUGH-IN WORK AND FINAL CONNECTIONS TO ALL FOOD SERVICE AND RELATED EQUIPMENT AS SHOWN ON THE KITCHEN EQUIPMENT CONTRACTOR'S PLANS TO BE PERFORMED BY THE PLUMBING CONTRACTOR PER NATIONAL AND LOCAL CODES.
- UNLESS OTHERWISE SPECIFIED IN THESE PLANS OR OTHER WRITTEN CONTRACTS, IT SHALL BE THE RESPONSIBILITY OF THE PLUMBING CONTRACTOR TO PROVIDE ALL PLUMBING-TYPE MATERIALS INCLUDING VALVES, TRAPS, LINE STRAINERS, FLOOR SINK COVERS, PRESSURE REGULATORS, SIPHON BREAKERS, ETC.
- PLUMBING CONTRACTOR SHALL SIZE, FURNISH AND INSTALL ALL GREASE TRAPS OR INTERCEPTORS AS REQUIRED AND COORDINATE SIZES AND LOCATIONS WITH KITCHEN EQUIPMENT CONTRACTOR.
- PLUMBING CONTRACTOR SHALL FURNISH AND INSTALL ALL GAS SHUT-OFF VALVES FOR EACH PIECE OF EQUIPMENT WITH PERMANENT I.D. TAGS AS WELL AS THE MAIN GAS VALVE(S).
- PLUMBING CONTRACTOR SHALL FURNISH AND INSTALL ALL DIRECT SINK WASTE LINES AND ALL INDIRECT EQUIPMENT WASTE LINES AS SHOWN ON PLANS PER LOCAL CODES, INCLUDING TRAPS, TAIL PIECES, LINE STRAINERS, AND WALK-IN CONDENSATE WASTE LINES, AS REQUIRED. INDIRECT WASTE LINE ROUTING THROUGH CABINETS SHALL BE IN A MANNER SO AS TO MAXIMIZE USABLE STORAGE SPACE.
- ALL DRAIN LINES FROM EQUIPMENT REQUIRING CONDENSATION REMOVAL SHALL BE RUN IN COPPER.
- THE PLUMBING CONTRACTOR SHALL PROVIDE AND INSTALL INSULATION MATERIAL ON ALL DRAINLINES FROM ICE BINS, ICE PANS, ETC., SO AS TO ELIMINATE CONDENSATION FORMATION.
- ALL INDIRECT WASTE LINES TO HAVE A 2" MINIMUM AIR GAP.
- FLOOR SINKS SHALL BE FURNISHED AND INSTALLED BY THE PLUMBING CONTRACTOR IN LOCATIONS SHOWN, AND SUPPLIED WITH 3/4 GRATE OR AS SPECIFIED. AREA DRAINS, IF REQUIRED, SHALL BE VERIFIED WITH THE ARCHITECT.
- IT SHALL BE THE RESPONSIBILITY OF THE GENERAL CONTRACTOR TO VERIFY THAT THE LOCATIONS FOR ALL MECHANICAL REQUIREMENTS WHICH REQUIRE FLOOR PENETRATIONS DO NOT CONFLICT WITH STRUCTURAL MEMBERS IN THE FLOOR.
- THE GENERAL CONTRACTOR SHALL SUPERVISE THE LOCATION OF ALL FLOOR DRAINS ON THE JOB SITE SO AS TO ENSURE THE BEST SLOPE POSSIBLE OF THE SURROUNDING FLOOR TO THESE DRAINS.
- PLUMBER SHALL FURNISH AND INSTALL PRESSURE REDUCING VALVE(S) AT DISHWASHER(S), GLASS WASHER(S), STEAMER(S) AND OTHER EQUIPMENT, AS REQUIRED.
- IT SHALL BE THE RESPONSIBILITY OF THE PLUMBING CONTRACTOR TO FURNISH AND INSTALL ALL WATER HEATERS FOR THIS PROJECT AND TO ENSURE ADEQUATE WATER SUPPLY FOR THE FOOD SERVICE EQUIPMENT. WATER TEMPERATURE TO THE DISHWASHER SHALL BE 140°. COORDINATE LOCATION OF WATER HEATER WITH KITCHEN EQUIPMENT CONTRACTOR.
- THE PLUMBING CONNECTIONS, SPECIFICATIONS AND DIMENSIONS SHOWN ON THESE PLANS ARE FOR FOOD SERVICE EQUIPMENT ONLY. SEE ARCHITECT'S PLAN SET FOR ALL OTHER PLUMBING REQUIREMENTS FOR THIS PROJECT.

MECHANICAL NOTES

- THE MECHANICAL CONTRACTOR SHALL FURNISH AND INSTALL EXHAUST AND SUPPLY DUCTS FOR KITCHEN HOODS IN ACCORDANCE WITH APPLICABLE NATIONAL AND LOCAL CODES AND SHALL COORDINATE AIR VOLUME REQUIREMENTS, DUCT SIZES, AND LOCATIONS WITH KITCHEN EQUIPMENT CONTRACTOR.
- THE MECHANICAL CONTRACTOR SHALL ENSURE THAT 100% OF THE AIR PULLED FROM THE KITCHEN IS REPLACED. WHERE A PORTION OF SUPPLY AIR IS PROVIDED THROUGH THE HOODS, THE MECHANICAL CONTRACTOR SHALL PROVIDE THE REMAINDER AS REQUIRED AND BALANCE THE COMPLETE SYSTEM.
- WHERE DUCTWORK IS SUPPLIED BY THE MECHANICAL CONTRACTOR, THE MECHANICAL CONTRACTOR SHALL MAKE FINAL CONNECTIONS BETWEEN DUCTWORK AND HOOD DUCT COLLARS.
- THE MECHANICAL CONTRACTOR SHALL PERFORM FINAL AIR BALANCING TO THE BUILDING.
- THE MECHANICAL CONTRACTOR IS RESPONSIBLE FOR OBTAINING ALL HOOD HANGING PERMITS AS PART OF THE MECHANICAL PERMIT. THESE DOCUMENTS ARE TO INCLUDE ALL SEISMIC AND ENGINEERING CALCULATIONS APPLICABLE TO NATIONAL AND LOCAL CODES.
- ALL DUCT SENSORS, WHEN SHIPPED LOOSE WITH THE HOODS, SHALL BE INSTALLED BY THE MECHANICAL CONTRACTOR ACCORDING TO THE MANUFACTURER'S SPECIFICATIONS.

WALL BACKING NOTES

- GENERAL CONTRACTOR SHALL CONSULT WITH OWNER AND BARGREEN ELLINGSON AT THE TIME OF LAYOUT FOR WALL BACKING FOR CONFIRMATION OF ALL DIMENSIONS AND UP-DATE REQUIREMENTS.
- WALL BACKING TO BE USED FOR WALL MOUNTED EQUIPMENT AND SHELVES.
- WALL BACKING TO BE 5/8" PLYWOOD, WALL BACKING NOTED AS S.M. TO BE 16 - GAUGE SHEET METAL.
- WALL BACKING TO BE BUILT INTO WALL SO THAT FINISHED WALL IS A FLUSH SURFACE.

PROJECT INFORMATION

FOOD SERVICE DRAWINGS:

- | | |
|------|-----------------------------|
| K-0 | COVER SHEET |
| K-1 | FOOD SERVICE EQUIPMENT PLAN |
| K-2 | EQUIPMENT SCHEDULE |
| K-3 | ELECTRICAL ROUGH-IN PLAN |
| K-4 | PLUMBING ROUGH-IN PLAN |
| K-5 | WALL BACKING PLAN |
| K-6 | UNDERSLAB PLAN |
| K-7 | HOOD/COOLER MFG DRAWINGS |
| K-8 | ELEVATION VIEWS |
| ID-1 | FINISH PLAN |
| ID-2 | FINISH SCHEDULE |
| ID-3 | REFLECTED CEILING PLAN |
| ID-4 | LIGHTING SCHEDULE |
| ID-5 | INTERIOR ELEVATIONS |

PROJECT INFORMATION

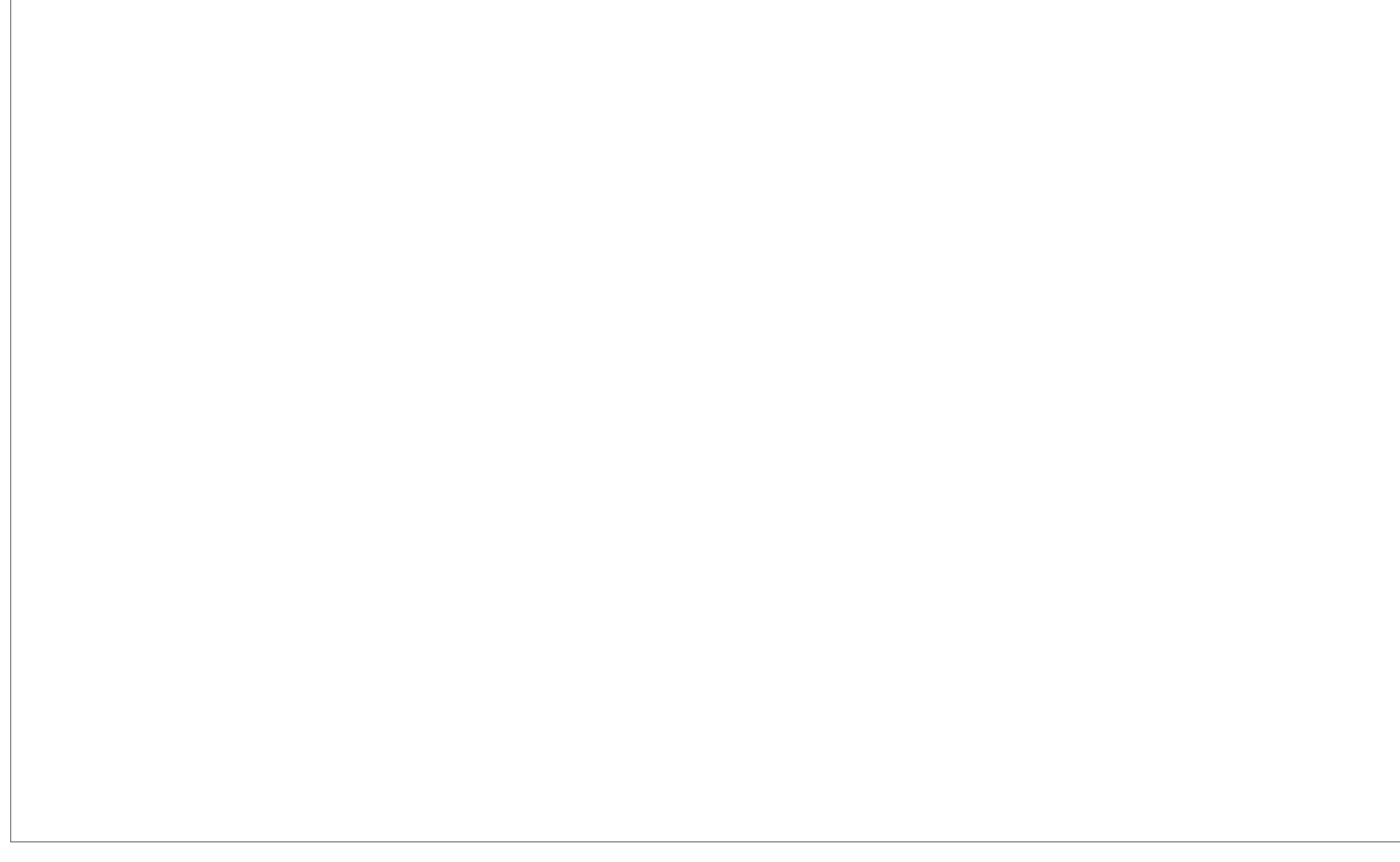
ADDRESS:
STREET ADDRESS
CITY, STATE ZIP

DESCRIPTION:
CONSTRUCTION OF A NEW 1 STORY, 25,000 SF. RESTAURANT
LOCATED IN WEST FIELD MALL PARKING LOT.

ABBREVIATIONS

- | | |
|--------|--|
| ACT | ACOUSTICAL CEILING TILE |
| AFF | ABOVE FINISHED FLOOR |
| APPROX | APPROXIMATELY |
| ARCH | ARCHITECT, ARCHITECTURAL |
| B.I.B. | BAG-N-BOX |
| CG | CORNER GUARD |
| CLG | CEILING |
| CO | CONVENIENCE OUTLET |
| CW | COLD WATER |
| DCO | DUPLEX OUTLET / DEDICATED OUTLET |
| DI | DEDICATED / ISOLATED |
| DIA | DIAMETER |
| DIM | DIMENSION |
| DW | DISH WASHER |
| DWG | DRAWING |
| EA | EACH |
| E.C. | ELECTRICAL CONTRACTOR |
| ELEC | ELECTRICAL |
| EXIST | EXISTING |
| FD | FLOOR DRAIN |
| FFD | FLOOR FUNNEL DRAIN |
| FLR | FLOOR |
| FS | FLOOR SINK |
| FT | FLOOR TROUGH |
| GC | GENERAL CONTRACTOR |
| GYP | GYPSPUM |
| HT | HEIGHT |
| HVAC | HEATING, VENTING, AND AIR CONDITIONING |
| HW | HOT WATER |
| JBOX | JUNCTION BOX |
| MAX | MAXIMUM |
| MECH | MECHANICAL |
| MFG | MANUFACTURE/MANUFACTURING |
| MIN | MINIMUM |
| MW | MIXED WATER |
| NIC | NOT IN CONTRACT |
| NTS | NOT TO SCALE |
| SCO | SINGLE CONNECTION OUTLET |
| S.M. | SHEET METAL |
| S/S | STAINLESS STEEL |
| TYP | TYPICAL |
| UC | UNDER COUNTER |
| VFY | VERIFY |
| W/ | WITH |
| W/O | WITHOUT |

VICINITY MAP



PROJECT DIRECTORY

OWNER:
OWNER/ COMPANY NAME
STREET ADDRESS
CITY, STATE ZIP
PH: (***-***-****)
FAX: (***-***-****)
CONTACT: NAME

ARCHITECT:
OWNER/ COMPANY NAME
STREET ADDRESS
CITY, STATE ZIP
PH: (***-***-****)
FAX: (***-***-****)
CONTACT: NAME

GENERAL CONTRACTOR:
OWNER/ COMPANY NAME
STREET ADDRESS
CITY, STATE ZIP
PH: (***-***-****)
FAX: (***-***-****)
CONTACT: NAME

FOOD SERVICE DESIGNER:
OWNER/ COMPANY NAME
STREET ADDRESS
CITY, STATE ZIP
PH: (***-***-****)
FAX: (***-***-****)
CONTACT: NAME

BREMERTON PIZZA/ BAR
CATCH 22

BREMERTON, WA

BARGREEN ELLINGSON
FOODSERVICE SUPPLY & DESIGN

6626 TACOMA MALL BLVD.
TACOMA, WA 98409
Phone: (253) 475-6201
Fax: (253) 671-9494
Website
www.bargreen.com

REVISION INFORMATION		
#	START	PERMIT
0	11/3/22	MMDDYY
#	PRELIM	REVISION
1	11/15/22	---
2	11/17/22	---
3	---	---
4	---	---
5	---	---
6	---	---
7	---	---
8	---	---

This plan is the property of Bargreen Ellingson and is loaned subject to the condition that it is not to be copied, reproduced, or distributed either in whole or in part, without written permission, and is not to be used in any way detrimental to the best interests of the company.
© 2019 BARGREEN ELLINGSON INC.

DRAWN BY:
SCHMELING
PROJECT MANAGER:
McLEAN

SHEET TITLE:

COVER SHEET

SHEET NUMBER

K-0

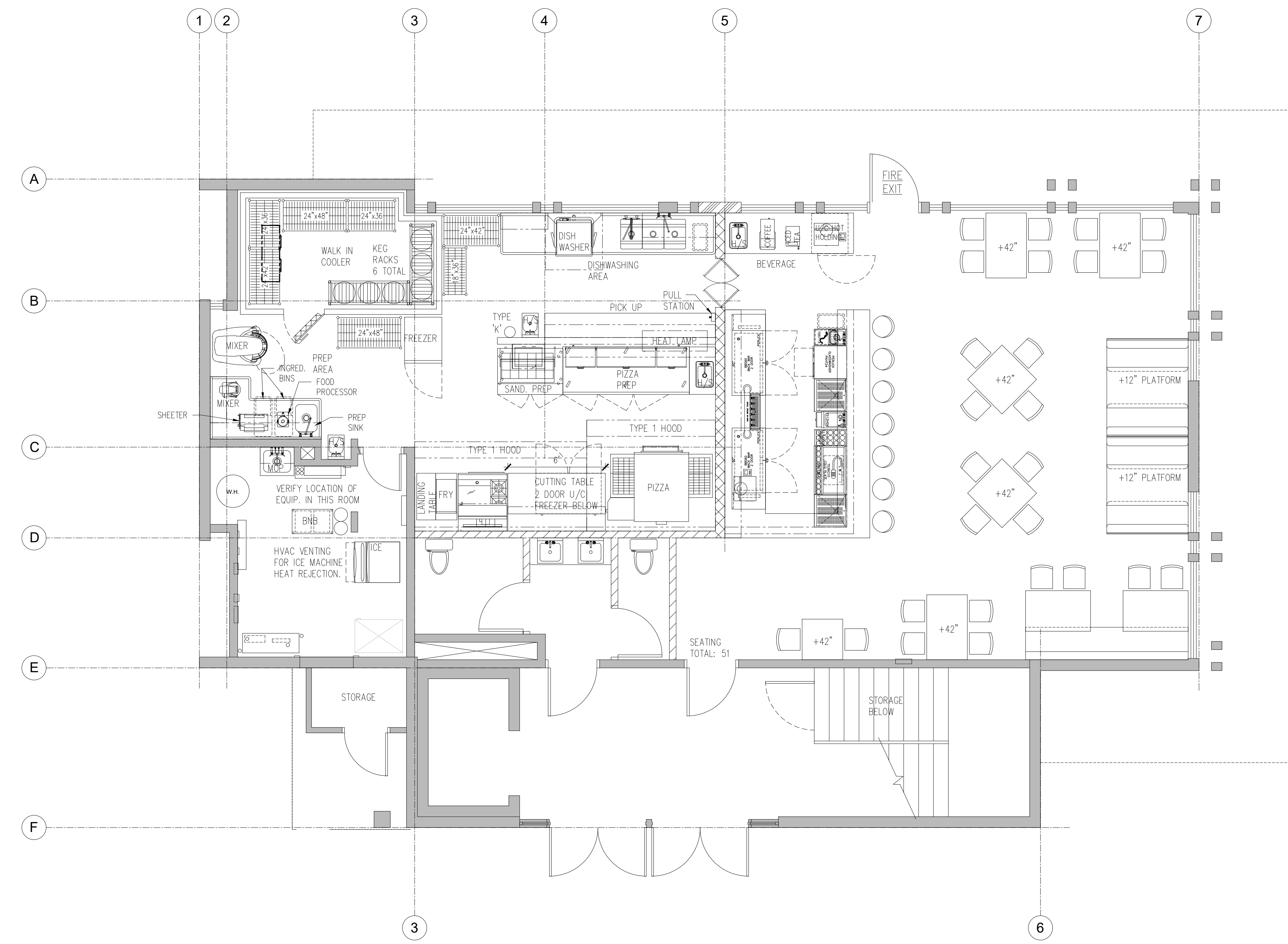
1 OF 3

PROJECT NUMBER
80106758

11/17/2022 PROGRESS PRINT

**BREMERTON PIZZA BAR
CATCH 22**

BREMERTON, WA



EQUIPMENT PLAN- OPTION 1
Scale: 1/4"=1'-0"

REVISION INFORMATION		
#	START	PERMIT
0	11/3/22	MMDDYY
#	PRELIM	REVISION
1	11/15/22	---
2	11/17/22	---
3	---	---
4	---	---
5	---	---
6	---	---
7	---	---
8	---	---

This plan is the property of Bargreen Ellingson and is loaned subject to the condition that it is not to be copied, reproduced, or distributed either in whole or in part, without written permission, and is not to be used in any way detrimental to the best interests of the company.
© 2019 BARGREEN ELLINGSON INC.

DRAWN BY: SCHMELING
PROJECT MANAGER: McLEAN

SHEET TITLE:

FOODSERVICE EQUIPMENT PLAN

SHEET NUMBER

K-1

1 OF 3

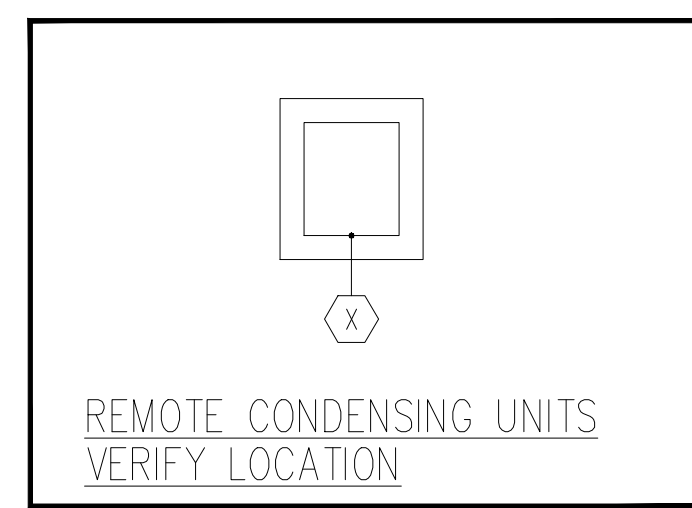
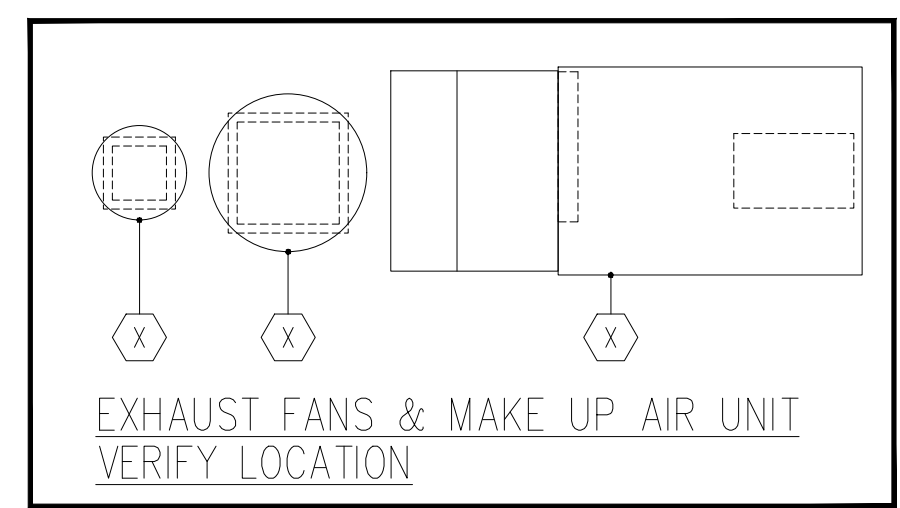
PROJECT NUMBER

80106758

PRELIMINARY
NOT FOR CONSTRUCTION

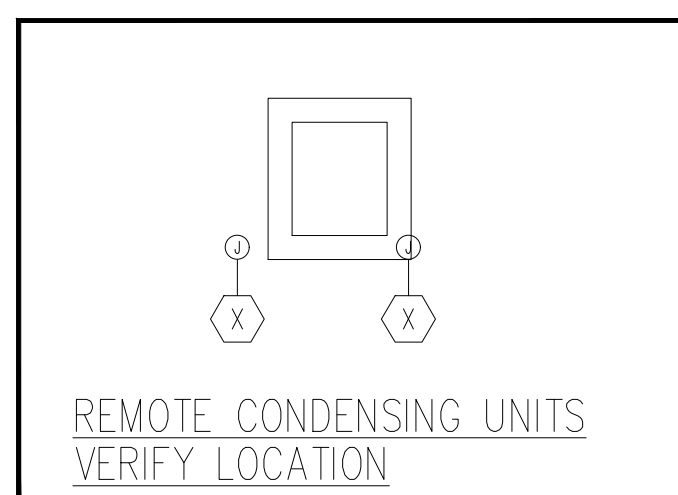
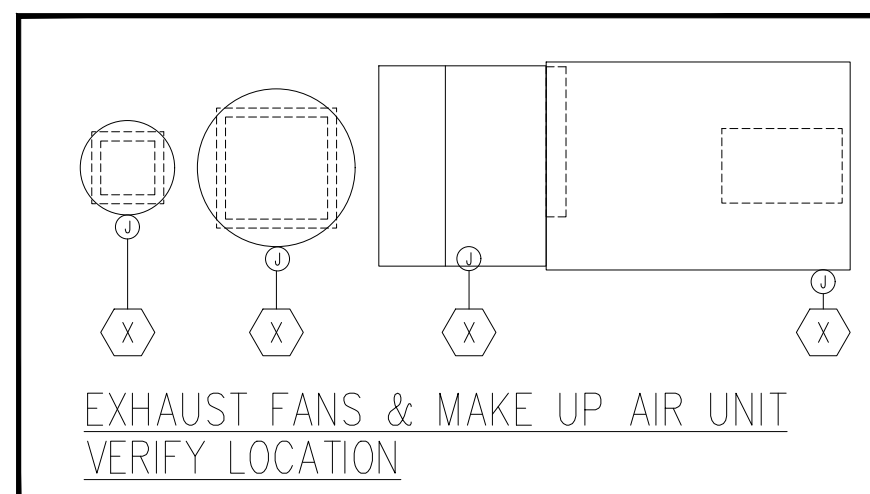
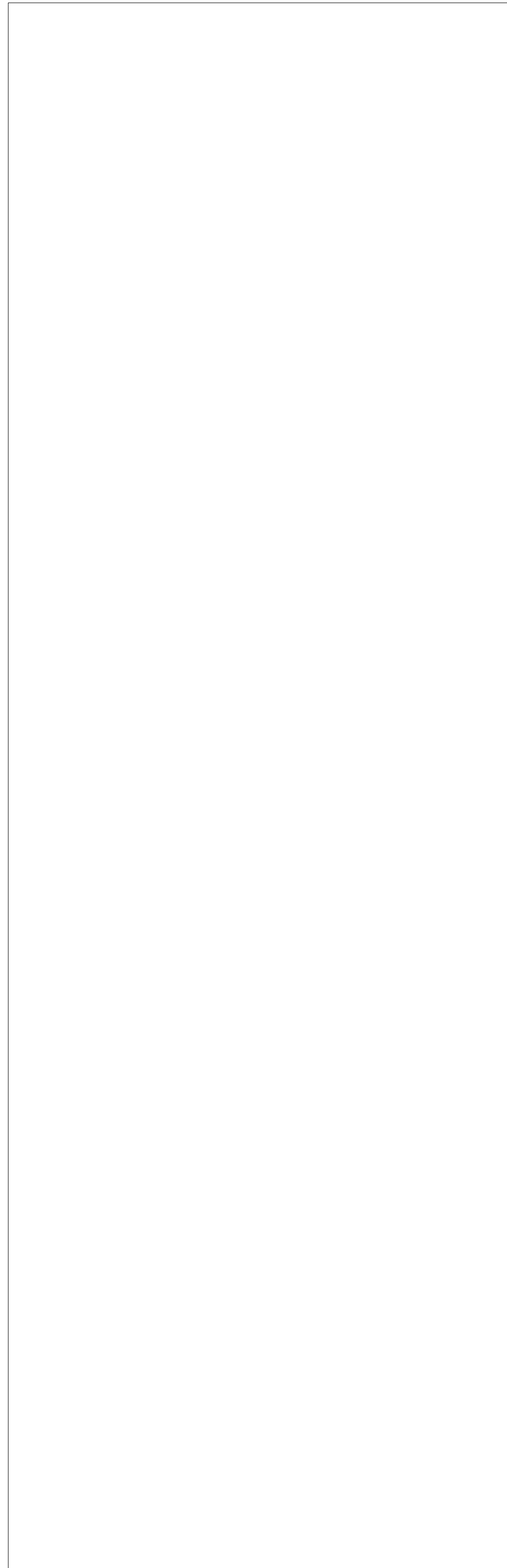
GENERAL NOTES

- IT SHALL BE NOTED BY THE GENERAL CONTRACTOR AND ALL SUB-CONTRACTORS THAT THIS SET OF PLANS AND THE INFORMATION CONTAINED WITHIN IN NO WAY RELIEVES SAID PARTIES OF THEIR RESPONSIBILITY TO INVESTIGATE AND COMPLY WITH ALL APPLICABLE CODES AND ORDINANCES AND TO PERFORM ALL WORK TO THE HIGHEST STANDARDS.
- IT SHALL BE THE RESPONSIBILITY OF THE GENERAL CONTRACTOR AND ALL SUB-CONTRACTORS TO VERIFY THE ACTUAL SPACE AND MECHANICAL REQUIREMENTS OF ALL ITEMS SHOWN AS FUTURE, NIC, SUPPLIED BY "OTHERS", ETC., WITH THE OWNER PRIOR TO ROUGH-IN AND CONNECTION.
- IT IS THE RESPONSIBILITY OF THE GENERAL CONTRACTOR TO IMMEDIATELY NOTIFY THE KITCHEN EQUIPMENT CONTRACTOR IN WRITING OF ANY CHANGES TO THE BUILDING THAT AFFECT EQUIPMENT PLACEMENT AND SIZES (I.E., WALL CHANGES, WATER HEATER LOCATIONS, ELECTRICAL PANELS, ETC).
- SUITABLE WALL BACKING AS SHOWN ON THESE PLANS AND AS REQUIRED BY THE OWNER SHALL BE PROVIDED AND INSTALLED BY THE GENERAL CONTRACTOR.
- THE GENERAL CONTRACTOR SHALL PROVIDE FLOOR, WALL, CEILING AND ROOF PENETRATIONS, INCLUDING, BUT NOT LIMITED TO THOSE REQUIRED FOR: MAKE-UP AIR, CLASS II EXHAUST DUCTS, FIRE-RATED SHAFTS FOR CLASS I EXHAUST DUCTS.
- THE GENERAL CONTRACTOR SHALL PROVIDE CONDUIT AND SLEEVES FOR REFRIGERATION LINES, SYRUP, CARBON DIOXIDE GAS, BEER LINES, LIQUOR LINES, AND DATA LINES. CONDUIT SHALL BE CIRCULAR PVC EQUAL TO THE DIAMETER INDICATED ON PLANS. ALL BENDS SHALL HAVE A MINIMUM RADIUS OF TWENTY-FOUR INCHES.
- THE GENERAL CONTRACTOR SHALL PROPERLY SEAL ALL WALL AND FLOOR PENETRATIONS AFTER THE INSTALLATION OF RELATED EQUIPMENT AND FURNISHING ITEMS.
- ALL DIMENSIONS SHOWN ARE FROM FACE OF FINISHED WALL OR FLOOR.
- ALL UTILITY ROUGH-INS SHOWN ON THESE PLANS ARE SUBJECT TO CHANGE PENDING FINAL EQUIPMENT SELECTION AND LOCATION.
- ALL UTILITY ROUGH-INS, FINAL CONNECTIONS, AND HOOK-UPS SHALL BE PROVIDED AND PERFORMED BY THE RESPECTIVE LICENSED SUB-CONTRACTORS IN COMPLIANCE WITH APPLICABLE NATIONAL AND LOCAL CODES.
- SEISMIC BRACING INFORMATION, IF REQUIRED, IS NOT INDICATED ON THESE PLANS NOR IS IT PROVIDED BY THE KITCHEN EQUIPMENT CONTRACTOR UNLESS OTHERWISE SPECIFIED HEREIN.
- WHERE EQUIPMENT PRODUCES NOISE THAT MAY VIBRATE THROUGH WALLS TO ANY PUBLIC AND/OR DINING AREAS, THE GENERAL CONTRACTOR SHALL PROVIDE AND INSTALL ADEQUATE SOUND PROOFING IN WALLS.



11/17/2022 PROGRESS PRINT

VERIFY ALL REQUIREMENTS
NOT PROVIDED BY KEC.



ELECTRICAL LEGEND

SYMBOL	DESCRIPTION
⊕	JUNCTION BOX
⊕	120 VOLT OUTLET (DCO)
⊕	208 VOLT OUTLET (SCO)
⊕	ELECTRICAL STUB
⊕	FLOOR OUTLET
⊕	DEDICATED / ISOLATED
⊕	SWITCH
⊕	LIGHT FIXTURE
⊕	FIELD CONNECTION
⊕	HEAT TAPE
⊕	MOTOR
⊕	THERMOSTAT
⊕	SOLENOID
⊕	P.O.S. NETWORK CONNECTION
⊕	120V/1~ /15 AMP CONVENIENCE OUTLET
⊕	VERIFY CONN. TYPE & POWER REQ.
⊕	PHONE

ELECTRICAL NOTES

- ALL ELECTRICAL ROUGH-IN WORK AND FINAL CONNECTIONS TO ALL FOOD SERVICE AND RELATED EQUIPMENT AS SHOWN ON THE KITCHEN EQUIPMENT CONTRACTOR'S PLANS TO BE PERFORMED BY THE ELECTRICAL CONTRACTOR PER NATIONAL AND LOCAL CODES.
- THE ELECTRICAL CONTRACTOR SHALL PROVIDE AND INSTALL STAINLESS STEEL OUTLET AND RECEPTACLE COVERS IN SERVICE AREAS.
- THE ELECTRICAL CONNECTIONS, SPECIFICATIONS AND DIMENSIONS SHOWN ON THESE PLANS ARE FOR FOOD SERVICE EQUIPMENT ONLY. SEE THE ARCHITECT'S PLAN SET FOR ADDITIONAL ELECTRICAL REQUIREMENTS INCLUDING OFFICE, MENU BOARDS, TELEPHONE AND DATA LINES, ETC.
- THE ELECTRICAL CONTRACTOR SHALL PROVIDE FUSED DISCONNECTS FOR EQUIPMENT HOOK-UPS AS REQUIRED BY CODE AND LABELING.
- ALL ELECTRICAL ROUGH-IN WORK AND ALL FINAL CONNECTIONS FOR ALL ITEMS SHOWN AND SPECIFIED ON THESE PLANS BY BARGREEN ELLINGSON SHALL BE PERFORMED BY THE ELECTRICAL CONTRACTOR.
- UNLESS OTHERWISE SPECIFIED IN THESE PLANS OR OTHER WRITTEN CONTRACTS, IT SHALL BE THE RESPONSIBILITY OF THE ELECTRICAL CONTRACTOR TO PROVIDE ALL ELECTRICAL-TYPE MATERIALS INCLUDING, BUT NOT LIMITED TO: WIRING, SWITCHES, DISCONNECTS, FLEX, CONDUIT, CONTACTORS, TRANSFORMERS, THERMAL OVERLOAD PROTECTORS, MAGNETIC STARTERS, SHUNT TRIP BREAKERS, ELECTRICAL PANELS, CORDS, PLUGS, COVERS, ETC.
- ELECTRICAL CONTRACTOR SHALL PROVIDE THE KITCHEN EQUIPMENT CONTRACTOR WITH ELECTRICAL PANEL(S) SIZE AND LOCATION ALONG WITH AVAILABLE VOLTAGE AND PHASE.
- ANY LOW VOLTAGE WIRING FOR REMOTE WALK-IN CONTROL PANEL TO BE INSTALLED BY ELECTRICIAN.

- THE ELECTRICAL CONTRACTOR SHALL FURNISH AND INSTALL ALL ELECTRICAL COMPONENTS FOR WALK-IN REFRIGERATORS AND FREEZERS INCLUDING, BUT NOT LIMITED TO: LIGHTS, DOOR VENTS, SOLENOIDS, TIME CLOCKS, DEFROST CIRCUITS, DOOR HEATER, AND INTERCONNECTIONS BETWEEN REMOTE COMPRESSORS AND INTERIOR MOUNTED EVAPORATOR COILS. ELECTRICAL SHALL ALSO PROVIDE DISCONNECTS AND THERMO-OVERLOAD PROTECTION FOR COMPRESSORS.
- THE ELECTRICAL CONTRACTOR SHALL PROVIDE AND INSTALL HEAT TAPE ON DRAIN LINES IN DANGER OF FREEZING. VERIFY LENGTH WITH REFRIGERATION CONTRACTOR.
- THE ELECTRICAL CONTRACTOR SHALL PROVIDE DISCONNECTS AT THE POWER BOX FOR EACH ICE MACHINE HEAD.
- IT SHALL BE THE RESPONSIBILITY OF THE ELECTRICAL CONTRACTOR TO PROVIDE INTERCONNECT SWITCHING BETWEEN THE KITCHEN HOOD EXHAUST FANS AND THE KITCHEN MAKE-UP AIR SYSTEMS AS REQUIRED PER LOCAL CODE AND AUTHORITIES.
- IT SHALL BE THE RESPONSIBILITY OF THE ELECTRICAL CONTRACTOR TO PROVIDE ELECTRICAL CONTRACTORS ON ALL ELECTRICAL OUTLETS, JUNCTION BOXES, ETC. LOCATED UNDER ANY CLASS I EXHAUST HOOD SO AS TO DISCONNECT UPON ACTIVATION OF THE FIRE SUPPRESSION SYSTEM.
- ELECTRICAL CONTRACTOR SHALL VERIFY REQUIREMENTS OF CASH REGISTERS, PRINTERS, COMPUTERS, SOUND SYSTEM, ETC. INCLUDING CONDUIT RUNS AND DEDICATED / ISOLATED OUTLET REQUIREMENTS.
- ALL DIMENSIONS SHOWN ARE FROM GRID LINES, FINISHED WALLS OR FINISHED FLOORS TO CENTER LINE OF ELECTRICAL OUTLET BOXES. HEIGHTS ARE NOT TO BE TAKEN FROM CURBS OR PLATFORMS.
- TEMPERATURE SENSORS RELATED TO THE HOOD SYSTEM, AND INTENDED TO BE INSTALLED IN THE KITCHEN SPACE, SHALL BE INSTALLED BY THE ELECTRICAL CONTRACTOR ACCORDING TO THE MANUFACTURER'S SPECIFICATIONS.

ELECTRICAL ROUGH-IN PLAN
Scale: 1/4"=1'-0"

BREMERTON PIZZA BAR
CATCH 22
BREMERTON, WA

REVISION INFORMATION		
#	START	PERMIT
0	11/3/22	MM/DD/YY
#	PRELIM	REVISION
1	11/15/22	---
2	11/17/22	---
3	---	---
4	---	---
5	---	---
6	---	---
7	---	---
8	---	---

This plan is the property of Bargreen Ellingson and is loaned subject to the condition that it is not to be copied, reproduced, or distributed either in whole or in part, without written permission, and is not to be used in any way detrimental to the best interests of the company.
© 2019 BARGREEN ELLINGSON INC.

DRAWN BY:
SCHMELING
PROJECT MANAGER:
McLEAN

SHEET TITLE:

ELECTRICAL ROUGH-IN PLAN

SHEET NUMBER

K-3

3 OF 3

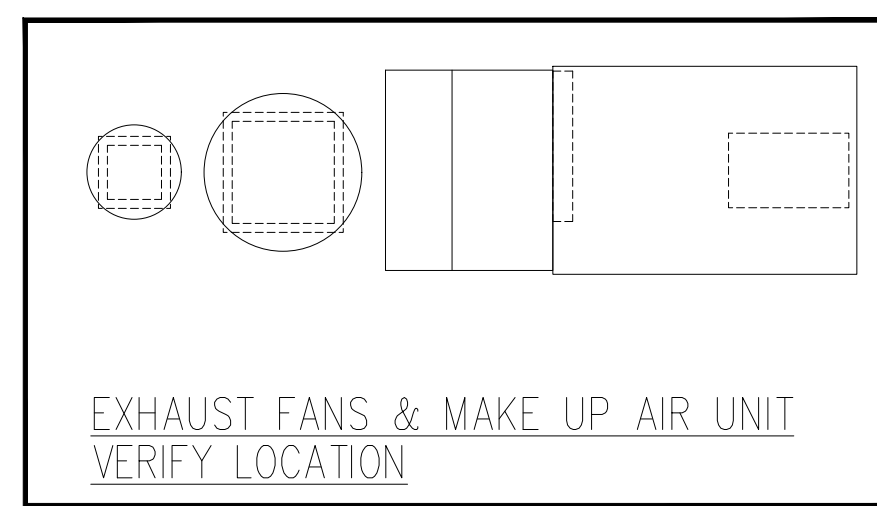
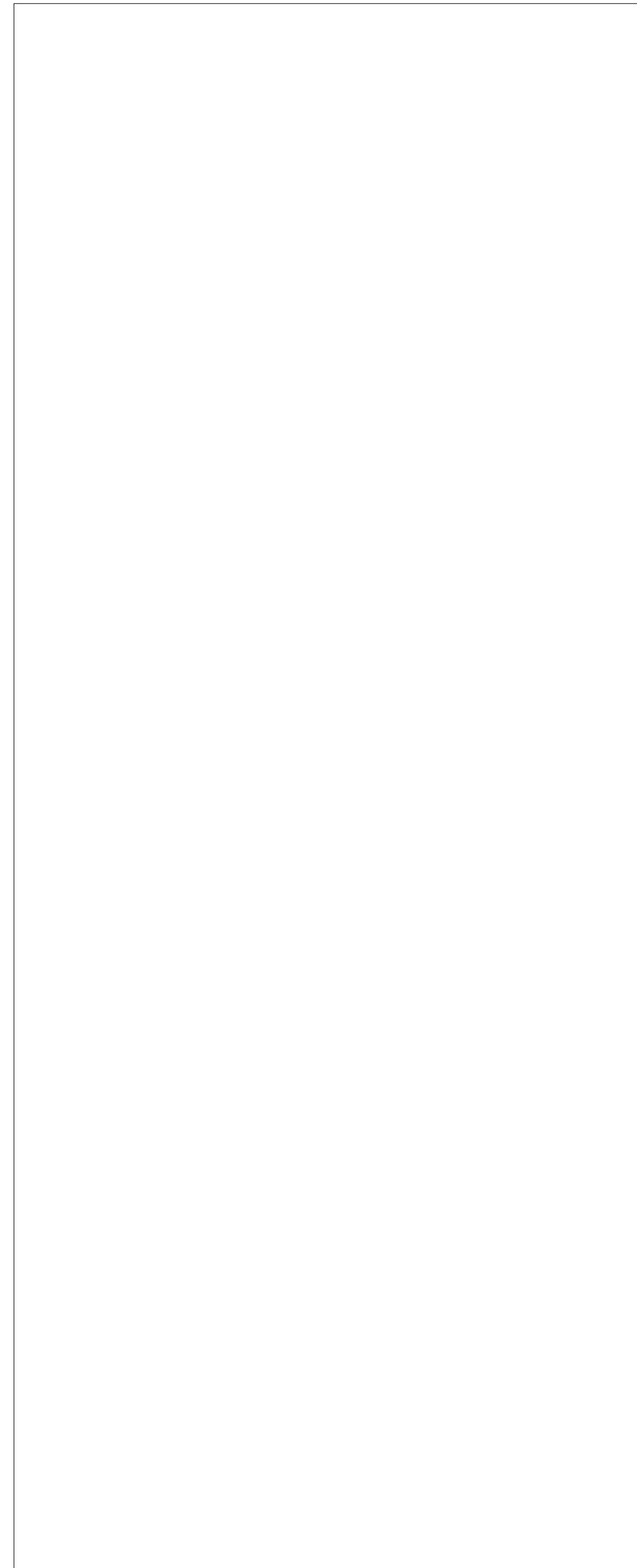
PROJECT NUMBER
80106758

BARGREEN ELLINGSON
FOODSERVICE SUPPLY & DESIGN
6626 TACOMA MALL BLVD.
TACOMA, WA 98409
Phone: (253) 475-9201
Fax: (253) 671-9484
Website
www.bargreen.com

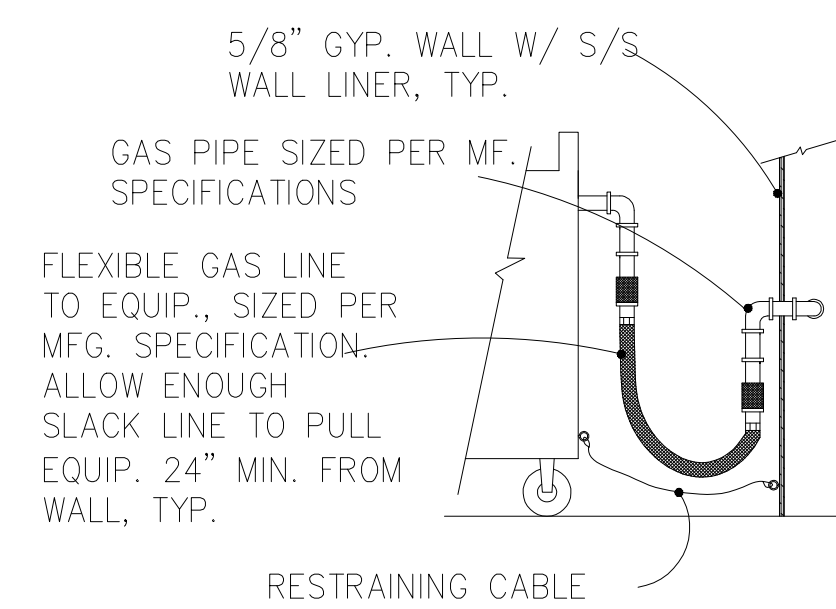
11/17/2022 PROGRESS PRINT

4.5.14.11.12002 23:20:30 SERVICE FOR PERMITTING COMMUNICATION: 11/17/2022 BARGREEN ELLINGSON/06/10/2019/06/10/2019

VERIFY ALL REQUIREMENTS
NOT PROVIDED BY KEC.



TYPICAL GAS CONNECTION



PLUMBING LEGEND

SYMBOL	DESCRIPTION
●	HOT WATER SUPPLY
○	COLD WATER SUPPLY
⊕	DIRECT WASTE
⊖	FILTERED WATER
⊙	PLUMBING STUB
⊗	FLOOR SINK, NO GRATE
⊘	FLOOR SINK, 1/2 GRATE
⊙	FLOOR SINK, 3/4 GRATE
⊗	FUNNEL DRAIN
⊙	AREA / FLOOR DRAIN
⊙	GAS CONNECTION
⊙	BEVERAGE CONDUIT STUB-UP
⊙	STEAM CONNECTION
—	FIELD CONNECTION / DRAIN LINE
⊙	VERIFY CONN. SIZE & REQ.

PLUMBING NOTES

- ALL PLUMBING ROUGH-IN WORK AND FINAL CONNECTIONS TO ALL FOOD SERVICE AND RELATED EQUIPMENT AS SHOWN ON THE KITCHEN EQUIPMENT CONTRACTOR'S PLANS TO BE PERFORMED BY THE PLUMBING CONTRACTOR PER NATIONAL AND LOCAL CODES.
- UNLESS OTHERWISE SPECIFIED IN THESE PLANS OR OTHER WRITTEN CONTRACTS, IT SHALL BE THE RESPONSIBILITY OF THE PLUMBING CONTRACTOR TO PROVIDE ALL PLUMBING-TYPE MATERIALS INCLUDING VALVES, TRAPS, LINE STRAINERS, FLOOR SINK COVERS, PRESSURE REGULATORS, SIPHON BREAKERS, ETC.
- PLUMBING CONTRACTOR SHALL SIZE, FURNISH AND INSTALL ALL GREASE TRAPS OR INTERCEPTORS AS REQUIRED AND COORDINATE SIZES AND LOCATIONS WITH KITCHEN EQUIPMENT CONTRACTOR.
- PLUMBING CONTRACTOR SHALL FURNISH AND INSTALL ALL GAS SHUT-OFF VALVES FOR EACH PIECE OF EQUIPMENT WITH PERMANENT I.D. TAGS AS WELL AS THE MAIN GAS VALVE(S).
- PLUMBING CONTRACTOR SHALL FURNISH AND INSTALL ALL DIRECT SINK WASTE LINES AND ALL INDIRECT EQUIPMENT WASTE LINES AS SHOWN ON PLANS PER LOCAL CODES, INCLUDING TRAPS, TAIL PIECES, LINE STRAINERS, AND WALK-IN CONDENSATE WASTE LINES, AS REQUIRED. INDIRECT WASTE LINE ROUTING THROUGH CABINETS SHALL BE IN A MANNER SO AS TO MAXIMIZE USABLE STORAGE SPACE.
- ALL DRAIN LINES FROM EQUIPMENT REQUIRING CONDENSATION REMOVAL SHALL BE RUN IN COPPER AND TO BE PROVIDED BY THE PLUMBER.
- ALL INDIRECT WASTE LINES TO HAVE A 2" MINIMUM AIR GAP ABOVE FLOOD RIM OF RECEIVING FIXTURE.

- THE PLUMBING CONTRACTOR SHALL PROVIDE AND INSTALL INSULATION MATERIAL ON ALL DRAINLINES FROM ICE BINS, ICE PANS, ETC., SO AS TO ELIMINATE CONDENSATION FORMATION.
- FLOOR SINKS SHALL BE FURNISHED AND INSTALLED BY THE PLUMBING CONTRACTOR IN LOCATIONS SHOWN, AND SUPPLIED WITH 3/4 GRATE OR AS SPECIFIED. AREA DRAINS, IF REQUIRED, SHALL BE VERIFIED WITH THE ARCHITECT.
- IT SHALL BE THE RESPONSIBILITY OF THE GENERAL CONTRACTOR TO VERIFY THAT THE LOCATIONS FOR ALL MECHANICAL REQUIREMENTS WHICH REQUIRE FLOOR PENETRATIONS DO NOT CONFLICT WITH STRUCTURAL MEMBERS IN THE FLOOR.
- THE GENERAL CONTRACTOR SHALL SUPERVISE THE LOCATION OF ALL FLOOR DRAINS ON THE JOB SITE SO AS TO ENSURE THE BEST SLOPE POSSIBLE OF THE SURROUNDING FLOOR TO THESE DRAINS.
- PLUMBER SHALL FURNISH AND INSTALL PRESSURE REDUCING VALVE(S) AT DISHWASHER(S), GLASS WASHER(S), STEAMER(S) AND OTHER EQUIPMENT, AS REQUIRED.
- IT SHALL BE THE RESPONSIBILITY OF THE PLUMBING CONTRACTOR TO FURNISH AND INSTALL ALL WATER HEATERS FOR THIS PROJECT AND TO ENSURE ADEQUATE WATER SUPPLY FOR THE FOOD SERVICE EQUIPMENT. WATER TEMPERATURE TO THE DISHWASHER SHALL BE 140°. COORDINATE LOCATION OF WATER HEATER WITH KITCHEN EQUIPMENT CONTRACTOR.
- THE PLUMBING CONNECTIONS, SPECIFICATIONS AND DIMENSIONS SHOWN ON THESE PLANS ARE FOR FOOD SERVICE EQUIPMENT ONLY. SEE ARCHITECT'S PLAN SET FOR ALL OTHER PLUMBING REQUIREMENTS FOR THIS PROJECT.

PLUMBING ROUGH-IN PLAN
Scale: 1/4"=1'-0"

BREMERTON PIZZA BAR
CATCH 22
BREMERTON, WA

REVISION INFORMATION		
#	START	PERMIT
0	11/3/22	MM/DD/YY
#	PRELIM	REVISION
1	11/15/22	---
2	11/17/22	---
3	---	---
4	---	---
5	---	---
6	---	---
7	---	---
8	---	---

This plan is the property of Bargreen Ellingson and is loaned subject to the condition that it is not to be copied, reproduced, or distributed either in whole or in part, without written permission, and is not to be used in any way detrimental to the best interests of the company.

© 2019 BARGREEN ELLINGSON INC.

DRAWN BY:
SCHMELING
PROJECT MANAGER:
McLEAN

SHEET TITLE:

**PLUMBING
ROUGH-IN
PLAN**

SHEET NUMBER

K-4

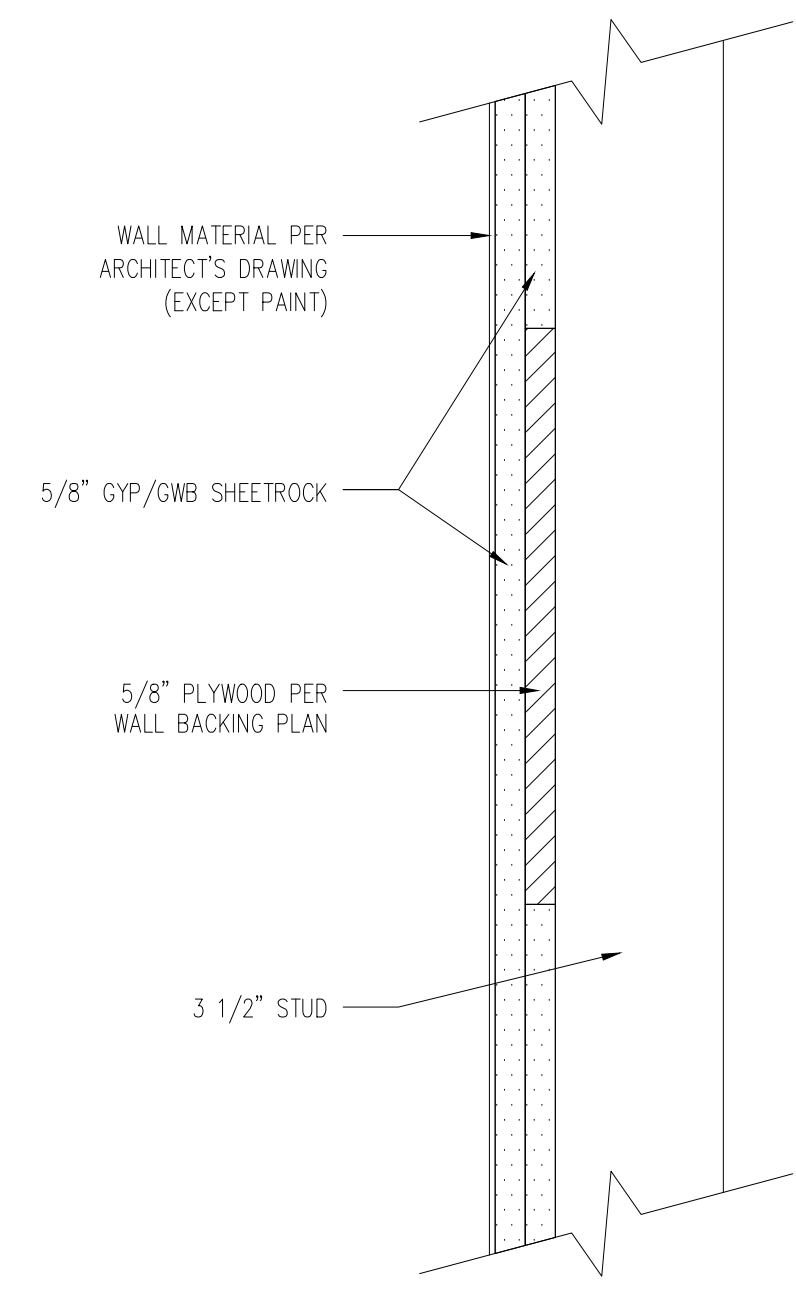
4 OF 3

PROJECT NUMBER

80106758

11/17/2022 PROGRESS PRINT

4.4 AM 12/22 2:32:20 SERVICE FOR PERMIT COMMUNICATION WALL ARCHITECT ENGINEER BARGREEN ELLINGSON 6/16/2022



PLYWOOD WALL BACKING DETAIL
Scale: N.T.S.

WALL BACKING PLAN
Scale: 1/4"=1'-0"

WALL BACKING NOTES

1. GENERAL CONTRACTOR SHALL CONSULT WITH OWNER AND BARGREEN ELLINGSON AT THE TIME OF LAYOUT FOR WALL BACKING FOR CONFIRMATION OF ALL DIMENSIONS AND UP-DATE REQUIREMENTS.
2. WALL BACKING TO BE USED FOR WALL MOUNTED EQUIPMENT AND SHELVES.
3. WALL BACKING TO BE 5/8" PLYWOOD, WALL BACKING NOTED AS S.M. TO BE 16 - GAUGE SHEET METAL.
4. WALL BACKING TO BE BUILT INTO WALL SO THAT FINISHED WALL IS A FLUSH SURFACE.

11/17/2022 PROGRESS PRINT

REVISION INFORMATION		
#	START	PERMIT
0	11/3/22	MMDDYY
#	PRELIM	REVISION
1	11/15/22	---
2	11/17/22	---
3	---	---
4	---	---
5	---	---
6	---	---
7	---	---
8	---	---

This plan is the property of Bargreen Ellingson and is loaned subject to the condition that it is not to be copied, reproduced, or distributed either in whole or in part, without written permission, and is not to be used in any way detrimental to the best interests of the company.
© 2019 BARGREEN ELLINGSON INC.

DRAWN BY:
SCHMELING
PROJECT MANAGER:
McLEAN

SHEET TITLE:

WALL BACKING PLAN

SHEET NUMBER

K-5

5 OF 3

PROJECT NUMBER

80106758

**BREMERTON PIZZA BAR
CATCH 22**
BREMERTON, WA

BARGREEN ELLINGSON
FOODSERVICE SUPPLY & DESIGN

6626 TACOMA WALL BLVD.
TACOMA, WA 98409

Phone: (253) 475-9201
Fax: (253) 671-9884

Website
www.bargreen.com

11/17/2022 PROGRESS PRINT

REVISION INFORMATION		
#	START	PERMIT
0	11/3/22	MM/DD'YY
#	PRELIM	REVISION
1	11/15/22	---
2	11/17/22	---
3	---	---
4	---	---
5	---	---
6	---	---
7	---	---
8	---	---

This plan is the property of Bargreen Ellingson and is loaned subject to the condition that it is not to be copied, reproduced, or distributed either in whole or in part, without written permission, and is not to be used in any way detrimental to the best interests of the company.
 © 2019 BARGREEN ELLINGSON INC.

DRAWN BY:
SCHMELING
 PROJECT MANAGER:
McLEAN

SHEET TITLE:

**HOOD / MFG
 DRAWINGS**

SHEET NUMBER

K-7

7 OF 3

PROJECT NUMBER

80106758

**BREMERTON PIZZA/ BAR
 CATCH 22**
 BREMERTON, WA

6626 TACOMA WALL BLVD.
 TACOMA, WA 98409

BARGREEN ELLINGSON
 FOODSERVICE SUPPLY & DESIGN
 Phone: (253) 475-9201
 Fax: (253) 671-9484
 Website
 www.bargreen.com

4.8.4M 1/2022 2:52:30 SERVICE PER ERECTION COMMUNICATIONS ARCHITECT ENGINEERS BARGREEN ELLINGSON 6/16/2019

A ELEVATION
AREA SCALE: 1/2"=1'-0"

11/17/2022 PROGRESS PRINT

REVISION INFORMATION		
#	START	PERMIT
0	11/3/22	MM/DD/YY
#	PRELIM	REVISION
1	11/15/22	---
2	11/17/22	---
3	---	---
4	---	---
5	---	---
6	---	---
7	---	---
8	---	---

This plan is the property of Bargreen Ellingson and is loaned subject to the condition that it is not to be copied, reproduced, or distributed either in whole or in part, without written permission, and is not to be used in any way detrimental to the best interests of the company.
© 2019 BARGREEN ELLINGSON INC.

DRAWN BY:
SCHMELING
PROJECT MANAGER:
McLEAN

SHEET TITLE:

ELEVATIONS

SHEET NUMBER

K-8

8 OF 3

PROJECT NUMBER
80106758

**BREMERTON PIZZA/ BAR
CATCH 22**
BREMERTON, WA

BARGREEN ELLINGSON
FOODSERVICE SUPPLY & DESIGN
6626 TACOMA MALL BLVD.
TACOMA, WA 98409
Phone: (253) 775-9201
Fax: (253) 671-9884
Website
www.bargreen.com