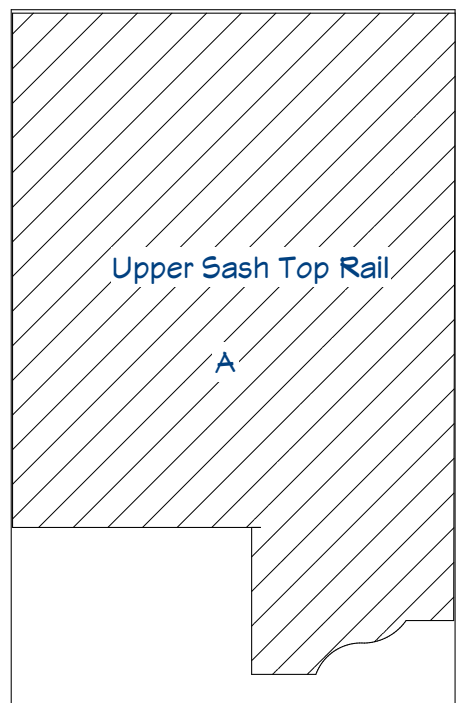
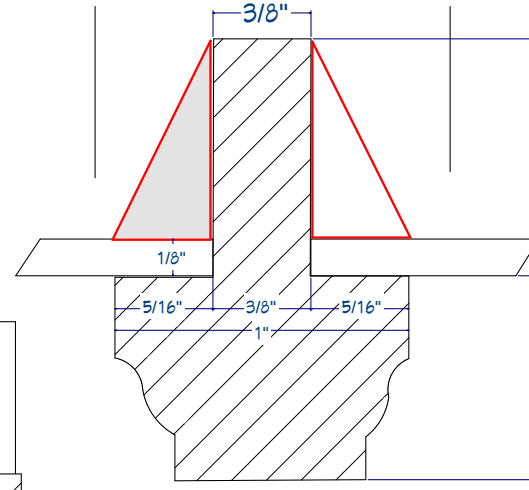


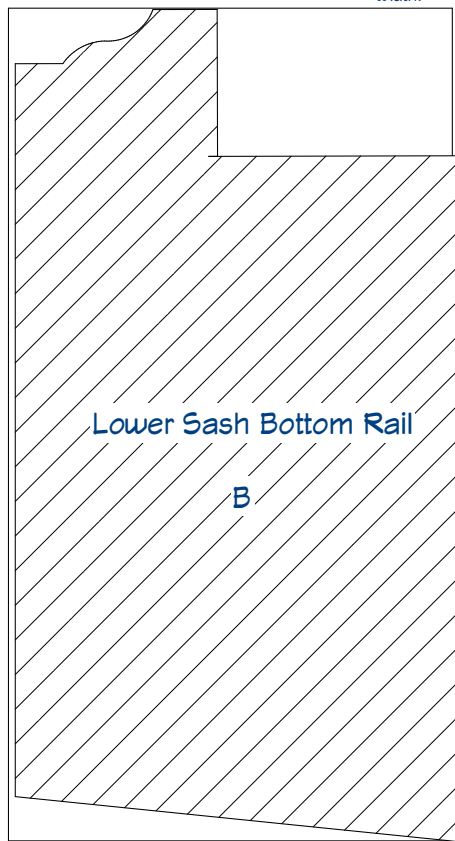
200 If Thermoplastic Elastomer (TPE) Most common bulb size - 1/4\"/>



Upper Sash Top Rail

A

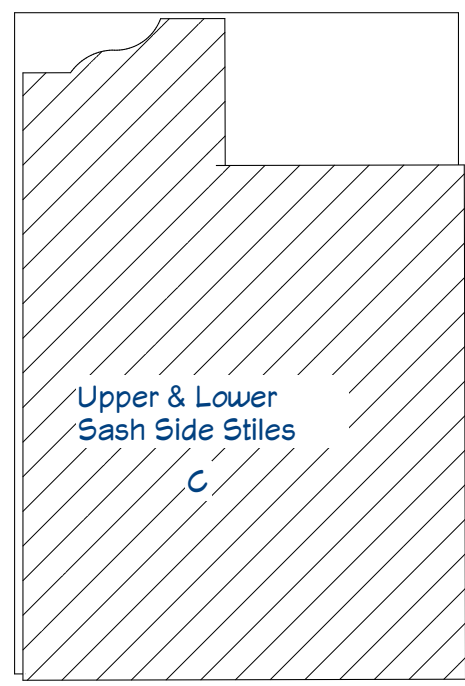
10 each 36\"/>



Lower Sash Bottom Rail

B

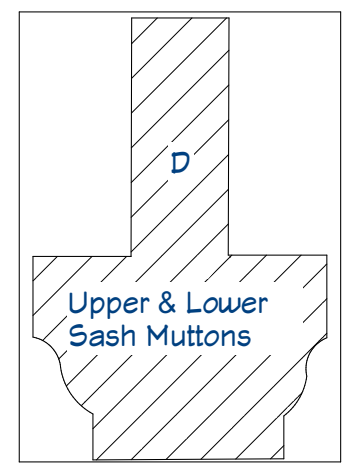
10 each 30\"/>



Upper & Lower Sash Side Stiles

C

40 each 40\"/>



Upper & Lower Sash Muttons

D

20 each 3 ft 1\"/>

Need 2.5 2x6 12 ft

1/2\"/>

A

B

